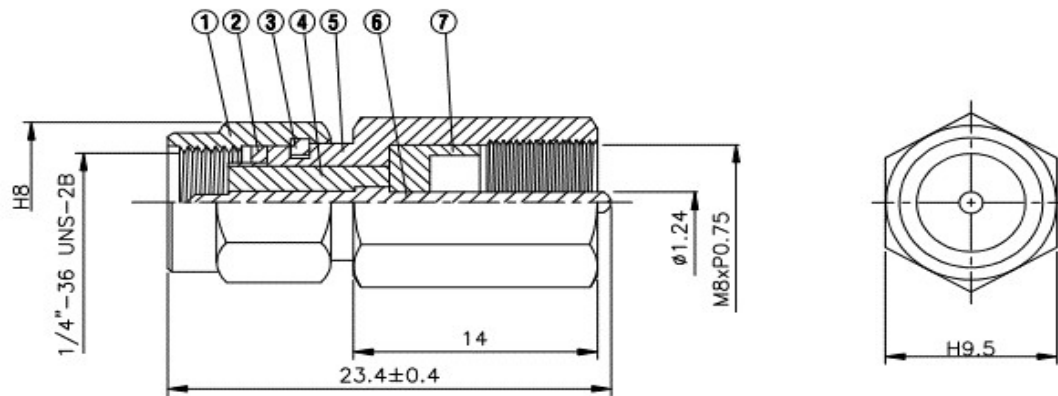
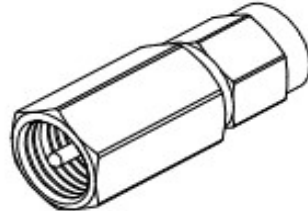


NI - 108 FME / SMA Stecker



| NO | DESCRIPTION | MATERIAL | Q' TY | FINISH |
|----|-------------|-----------|-------|--------|
| 1 | SHELL | BRASS | 1 | NICKEL |
| 2 | GASKET | RUBBER | 1 | RUBBER |
| 3 | WASHER | PH.BRONZE | 1 | NICKEL |
| 4 | INSULATION | TEFLON | 1 | TEFLON |
| 5 | BODY 1 | BRASS | 1 | NICKEL |
| 6 | PIN | BRASS | 1 | GOLD |
| 7 | INSULATION | TEFLON | 1 | TEFLON |